



DASPI

AT THE VANGUARD OF INNOVATION

OPENERS

TRANSMITTERS

RECEIVERS

SAFETY

CONTROL BOARDS

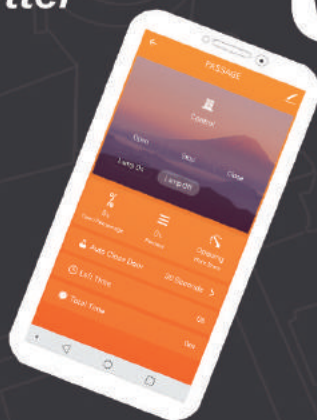
*Control your gate or shutter
with our app!*



Available in
Google Play



App Store



Compatible with



amazon alexa



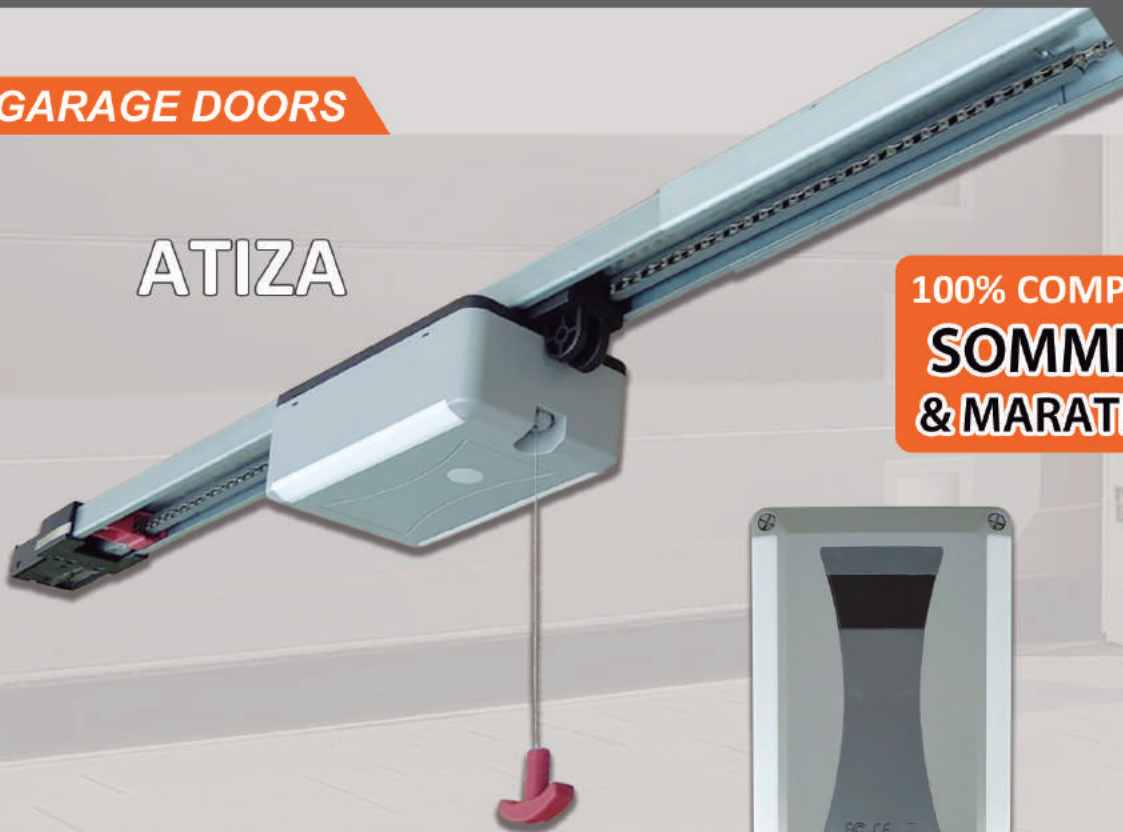
Google Home

www.daspi.it

GARAGE DOORS

ATIZA

100% COMPATIBLE WITH
SOMMER DUO
& **MARATHON TIGA**



Control it with our app!

RX Multi integrated

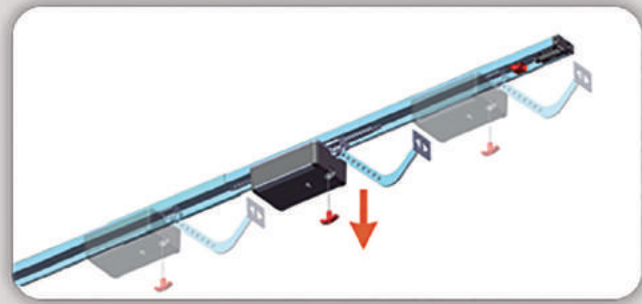
24V

1000N



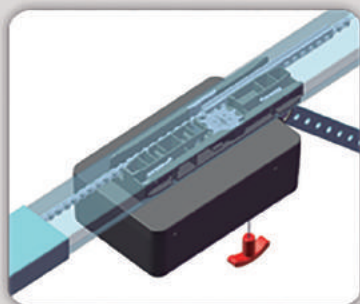
SEPARATE CONTROL UNIT

Install it either on the wall or in the track



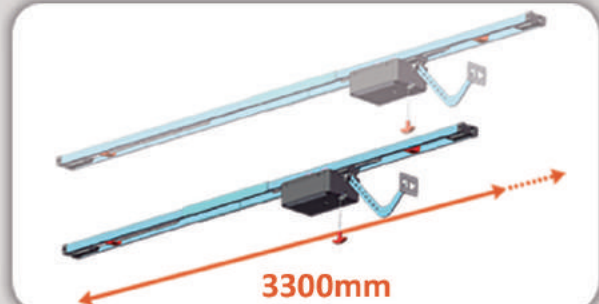
EMERGENCY RELEASE SYSTEM

Lock or unlock the door at any point



TRAVELLING MOTOR

The motor moves along the fixed chain of the track



EXTENDABLE TRAVEL LENGTH

Extend the track as much as required

GARAGE DOORS

PASSAGE



Control it with our app!



RX Multi integrated



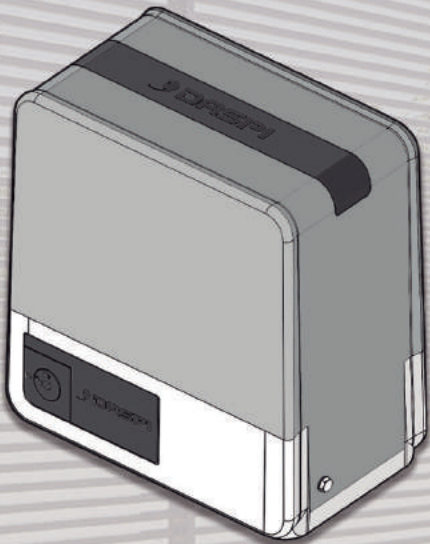
24V



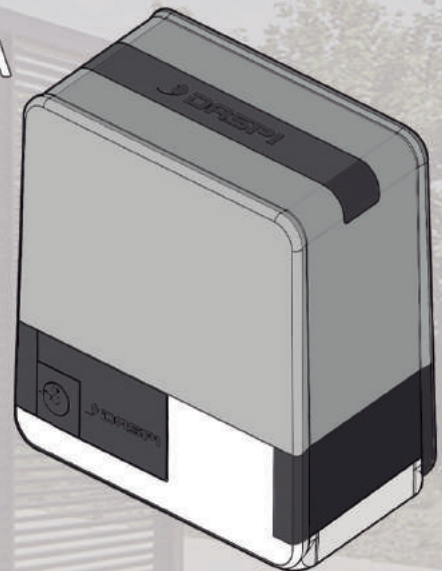
800N

SLIDING GATES

MITO



IDEA



Control it with our app!



RX Multi integrated



MITO 24V

IDEA 230V



MITO 500 Kg

IDEA 800/1000 Kg

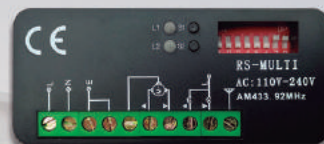
SECTIONAL & ROLLING GATES, & SHUTTERS



R+A
DS011M
 230V
 300-868 MHz
 Dead man function
 Up to 736W
 Safety output



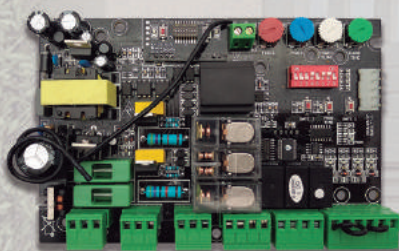
SHUTTER 2.0
DS052B
 100-250V
 433 MHz
 Dead man function
 Up to 736W
 Safety output



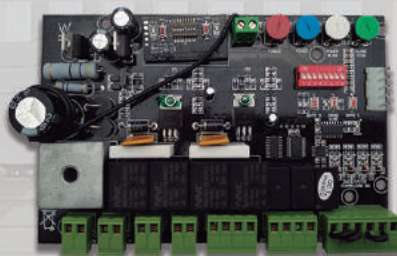
RS MULTI
DS013
 100-250V
 433 MHz
 Domestic blinds

 Available in all our control boards

SWING GATES



SW MV DS091
 100-250V 300-868 MHz
 1/2 wings Up to 550W
 Slow down Automatic closing



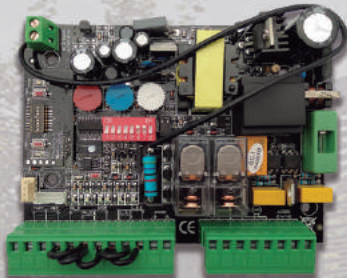
SW 24V DS051
 24V 300-868 MHz
 1/2 wings Up to 70W
 Slow down Automatic closing



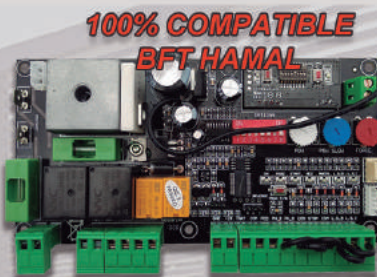
SW FA DS049
 100-250V 300-868 MHz
 1/2 wings Up to 550W
 Slow down Automatic closing

SLIDING GATES

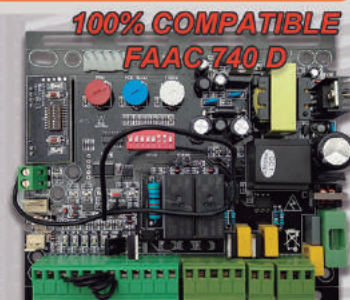
 RX Multi 300-868 MHz integrated, compatible with the 90% of brands



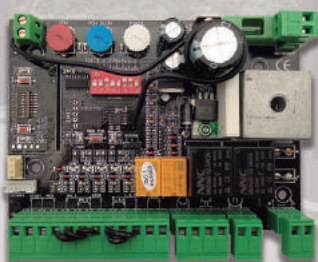
SD MULTI MINI DS063
 100-250V 300-868 MHz
 Amperestop Up to 550W
 Slow down Automatic closing



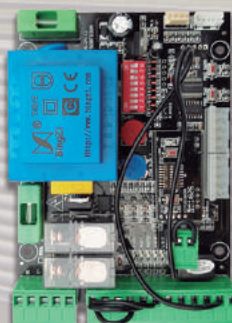
SD BF 24V DS060
 24V 300-868 MHz
 Amperestop Up to 70W
 Slow down Automatic closing



SD FA DS048
 100-250V 300-868 MHz
 Amperestop Up to 550W
 Slow down Automatic closing



SD 24V MINI DS062
 24V 300-868 MHz
 Amperestop Up to 70W
 Slow down Automatic closing



SD BF 230V DS059
 230V 300-868 MHz
 Time programming Up to 550W
 Slow down Automatic closing

RECEIVERS



WiFi

Control it
with
our app!

RX HERO WIFI DS201

Turn your old door, gate or shutter
into a new smart device

WiFi + Radio 300-868 MHz receiver

Rolling & fixed codes

Compatible with the 90% of the brands

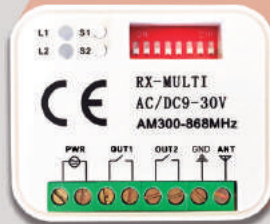
RX MULTI 300-868 MHz DS003

Rolling & fixed codes Up to 500 codes

Compatible with the 90% of the brands



NEW DESIGN



**5 PINS CONNECTOR
COMPATIBLE FAAC**



RX MULTI 300-868 MHz DS072

Rolling & fixed codes Up to 500 codes

Compatible with the 90%

of the brands in the market



RX-L 315/390 MHz DS047

Rolling & fixed codes Up to 250 codes

Compatible with the main brands

of the Northamerican market

SAFETY

**100% COMPATIBLE
FAAC XP 20 D**



BEAM FA DS045
Wireless Up to 12 m. range
180° 10-50V AC/DC
Polarization filter



PX BEAM DS014

Up to 15 m. range
10-50V AC/DC
Polarization filter
BUS system: Liftmaster & Marantec



BEAM CH DS064

180° Up to 7 m. range
10-50V AC/DC
Polarization filter
BUS system: Liftmaster & Marantec



BEAM DASPI DS114

Up to 15 m. range
12/24V AC/DC



CONTROL BAND DS031

Wireless
Up to 70 m. range
Up to 5 TX per 1 RX
12-50V AC/DC



**PASS DOOR
MAGNET DS046**

Wireless Up to 70 m. range
Linked to the RX
of the Control Band



LAMP

DASPI LAMP
24/100-250V AC
LED

TRANSMITTERS



TX INSTALLER

DS052 433 MHz
For installer codes



TX CLONER

DS018 433 MHz
Rolling & fix codes
Clone mode available



TX NEW CLONER

DS008 300-868 MHz
Rolling & fix codes
Clone mode available



TX MULTI

DS058 300-868 MHz
Rolling & fix codes
Clone & copy modes
Automatic learning



SX MULTI

DS010 433 MHz
Rolling & fixed codes
For tubular motors

TX MULTIFRECUENCIA

DS002 300-868 MHz

NO DIPS

TX MULTI SV

DS065 300-868 MHz

NO BATTERY NEEDED

LIGHTER CAR

DS021

300-868 MHz
Rolling & fix codes
Clone mode available

TX MULTI C

DS005 300-390 MHz

Rolling & fixed codes Clone mode available



4 VERSIONS AVAILABLE

TX C

DS005 300-390 MHz

